

Technical details

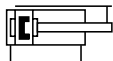
| | |
|---------------------------|---|
| Operating pressure | 1 ... 10 bar |
| Temperature range | -20°C ... +80°C |
| Operating speed | 50 ... 500 mm/s |
| Medium | Filtered, oil-free and dried compressed air according to ISO 8573-1:2010, Class 7:2:4, instrument air, free of aggressive additives. Alternatively the pressure dew point must be at least 10°C below lowest occurring ambient temperature. |
| Materials | Profile: Al (anodized) Flange plate: Steel (zinc plated) Piston rod: stainless steel Guide rod: stainless steel (-000), hardened steel (-100) Seals: PU |



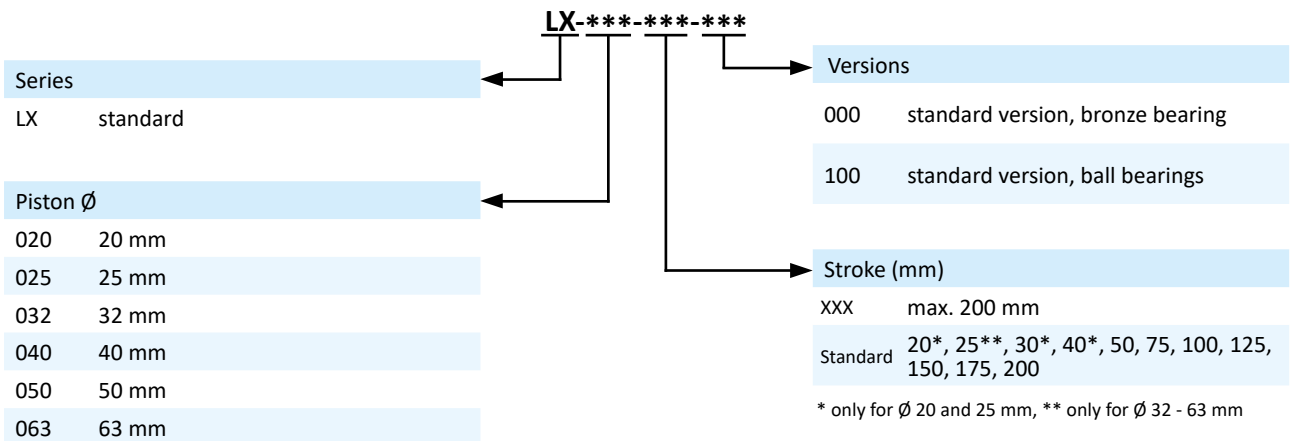
Double acting pneumatic cylinder with magnetic piston and built-in cushioning rings. The sensors can be installed directly into the sensor grooves of the Al-profile.

The integrated cylinder and guide unit ensures precise and accurate movement.

Standard stroke lengths in table below, additional lengths on request.

Versions


000, 100
 double acting, built-in cushioning rings,
 with magnetic piston,
 guide unit

Order code

Technical data

| Model-no.: | LX-020-... | LX-025-... | LX-032-... | LX-040-... | LX-050-... | LX-063-... |
|---------------------------|-------------------|------------|------------|------------|------------|------------|
| Piston Ø (mm) | 20 | 25 | 32 | 40 | 50 | 63 |
| Force at 6 bar (N) | Extension | 170 | 265 | 434 | 678 | 1060 |
| | Retraction | 127 | 204 | 326 | 570 | 890 |
| Connection | G1/8 | G1/8 | G1/8 | G1/8 | G1/4 | G1/4 |

Series LX

guide unit, double acting

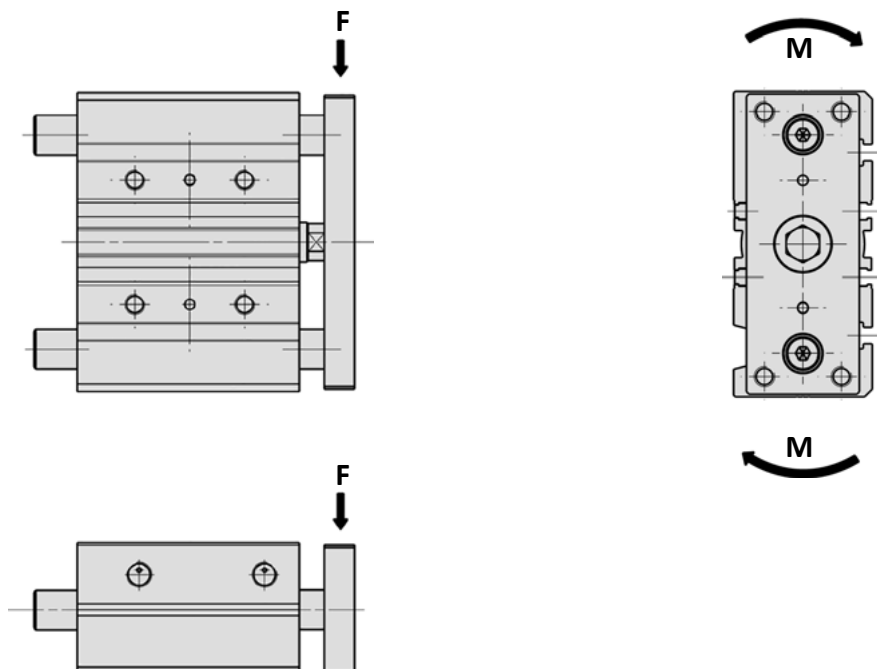
Technical information

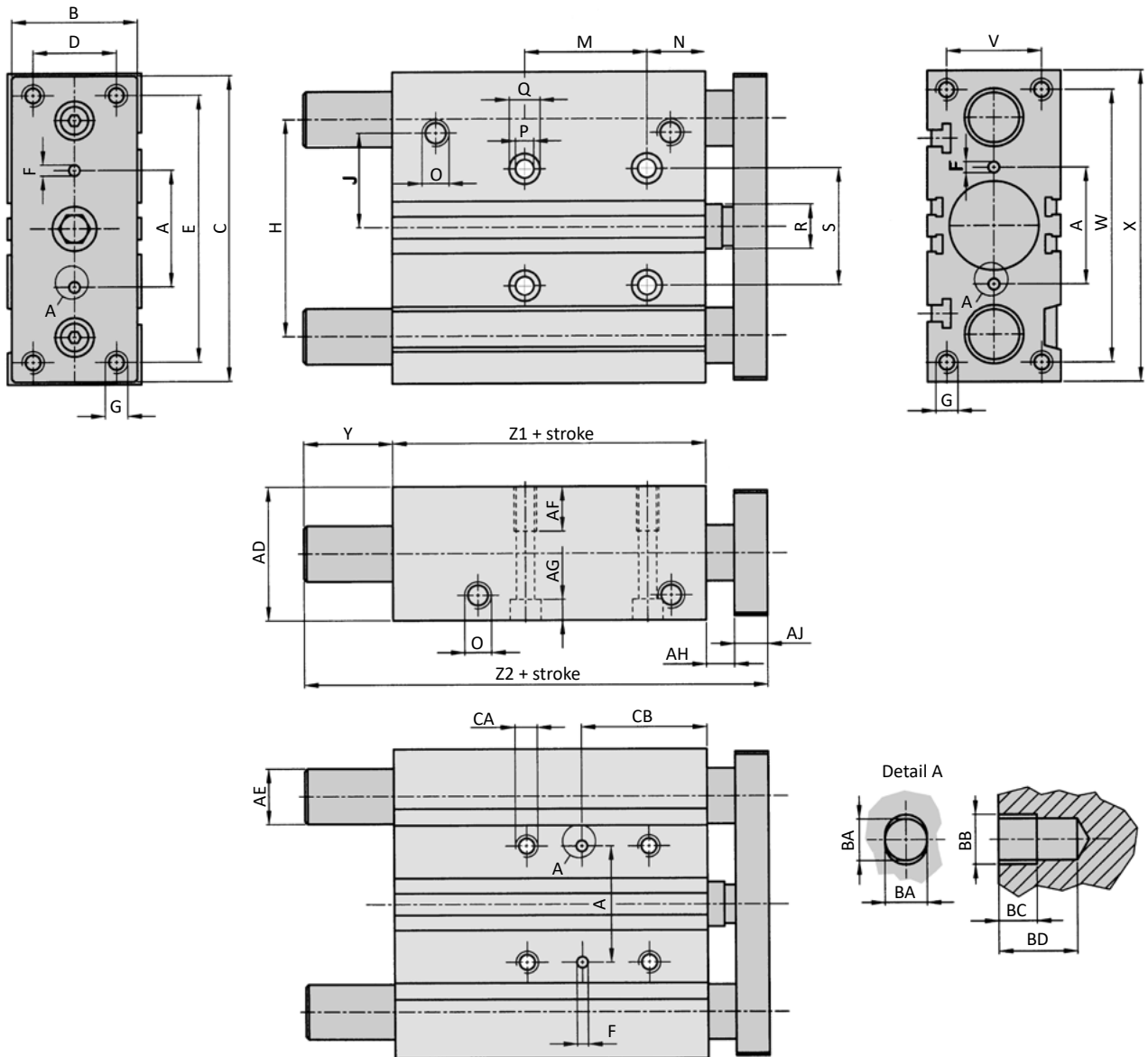
Maximum force (N)

| Piston Ø (mm) | Stroke length (mm) | 20 | 25 | 30 | 40 | 50 | 75 | 100 | 125 | 150 | 175 | 200 |
|---------------|--------------------|-----|-----|-----|-----|-----|-----|-----|-----|-----|-----|-----|
| 20 | Version 000 | 100 | - | 93 | 81 | 73 | 114 | 93 | 98 | 85 | 75 | 67 |
| | Version 100 | 110 | - | 100 | 125 | 121 | 90 | 86 | 69 | 58 | 49 | 43 |
| 25 | Version 000 | 140 | - | 120 | 115 | 103 | 165 | 135 | 150 | 131 | 116 | 104 |
| | Version 100 | 142 | - | 85 | 154 | 148 | 106 | 82 | 97 | 81 | 70 | 61 |
| 32 | Version 000 | - | 253 | - | - | 214 | 225 | 208 | 225 | 198 | 176 | 159 |
| | Version 100 | - | 222 | - | - | 91 | 167 | 129 | 145 | 122 | 104 | 90 |
| 40 | Version 000 | - | 251 | - | - | 197 | 215 | 206 | 224 | 196 | 175 | 157 |
| | Version 100 | - | 221 | - | - | 93 | 167 | 128 | 145 | 121 | 104 | 90 |
| 50 | Version 000 | - | 317 | - | - | 273 | 267 | 299 | 257 | 225 | 200 | 179 |
| | Version 100 | - | 203 | - | - | 152 | 161 | 193 | 156 | 130 | 110 | 95 |
| 63 | Version 000 | - | 316 | - | - | 273 | 267 | 299 | 257 | 225 | 200 | 179 |
| | Version 100 | - | 201 | - | - | 151 | 158 | 195 | 157 | 130 | 110 | 94 |

Maximum torque (Nm)

| Piston Ø (mm) | Stroke length (mm) | 20 | 25 | 30 | 40 | 50 | 75 | 100 | 125 | 150 | 175 | 200 |
|---------------|--------------------|-----|------|-----|-----|------|------|------|------|------|------|-----|
| 20 | Version 000 | 1.7 | - | 1.5 | 1.2 | 1.0 | 2.9 | 2.8 | 2.6 | 2.3 | 2.0 | 1.8 |
| | Version 100 | 3.0 | - | 2.7 | 3.4 | 3.3 | 2.4 | 2.3 | 1.9 | 1.6 | 1.3 | 1.2 |
| 25 | Version 000 | 3.4 | - | 2.9 | 3.6 | 3.3 | 4.2 | 4.3 | 3.8 | 3.2 | 2.7 | 2.3 |
| | Version 100 | 3.5 | - | 2.7 | 4.9 | 4.7 | 3.4 | 2.6 | 3.1 | 2.6 | 2.2 | 2.0 |
| 32 | Version 000 | - | 6.7 | - | - | 6.5 | 7.2 | 7.0 | 6.6 | 5.6 | 4.8 | 4.1 |
| | Version 100 | - | 6.3 | - | - | 3.6 | 6.5 | 5.1 | 5.7 | 4.8 | 4.1 | 3.5 |
| 40 | Version 000 | - | 8.7 | - | - | 7.3 | 9.2 | 8.8 | 9.6 | 8.4 | 7.5 | 6.7 |
| | Version 100 | - | 8.5 | - | - | 4.0 | 7.2 | 5.5 | 6.2 | 5.2 | 4.5 | 3.9 |
| 50 | Version 000 | - | 15.4 | - | - | 12.9 | 12.6 | 13.4 | 12.1 | 11.3 | 10.1 | 9.8 |
| | Version 100 | - | 11.1 | - | - | 8.3 | 8.8 | 10.6 | 8.6 | 7.1 | 6.0 | 5.2 |
| 63 | Version 000 | - | 15.1 | - | - | 14.3 | 16.6 | 17 | 14 | 11.3 | 9.7 | 9.1 |
| | Version 100 | - | 8.3 | - | - | 7.2 | 9.8 | 12.1 | 9.7 | 8.1 | 6.8 | 5.8 |



Dimensions


| Piston Ø | A | B | C | D | E | Ø F | G | H | J | N | O | Ø P | Ø Q | Ø R | S |
|----------|----|----|-----|----|-----|-------|----------|-----|------|----|------|-----|-----|-----|----|
| 20 | 28 | 30 | 81 | 18 | 70 | 3 x 6 | M5 x 13 | 54 | 25 | 17 | G1/8 | 5.5 | 9.5 | 10 | 28 |
| 25 | 34 | 40 | 91 | 26 | 78 | 4 x 6 | M6 x 15 | 64 | 28.5 | 17 | G1/8 | 5.5 | 9.5 | 12 | 34 |
| 32 | 42 | 45 | 110 | 30 | 96 | 4 x 6 | M8 x 20 | 78 | 34 | 21 | G1/8 | 6.5 | 11 | 16 | 42 |
| 40 | 50 | 45 | 118 | 30 | 104 | 4 x 6 | M8 x 20 | 86 | 38 | 22 | G1/8 | 6.5 | 11 | 16 | 50 |
| 50 | 66 | 60 | 146 | 40 | 130 | 5 x 8 | M10 x 22 | 110 | 47 | 24 | G1/4 | 8.5 | 14 | 20 | 66 |
| 63 | 80 | 70 | 158 | 50 | 130 | 5 x 8 | M10 x 22 | 124 | 55 | 24 | G1/4 | 8.5 | 14 | 20 | 80 |

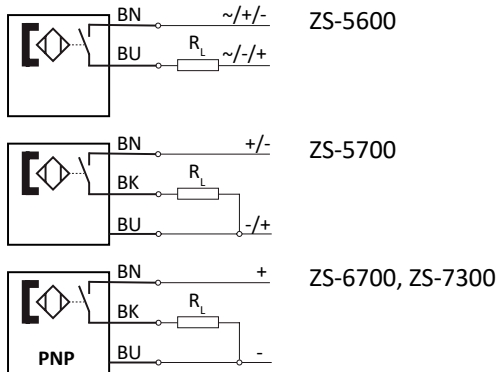
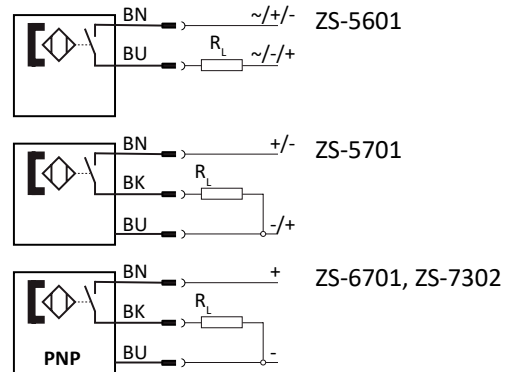
| Piston Ø | V | W | X | Z1 | AD | AF | AG | AH | AJ | AK | Ø BA | BB | BC | BD | CA |
|----------|----|-----|-----|------|----|----|-----|----|----|------|------|-----|----|----|-----|
| 20 | 24 | 72 | 83 | 37 | 36 | 12 | 5.5 | 6 | 10 | 11.5 | 3 | 3.5 | 3 | 6 | M6 |
| 25 | 30 | 82 | 93 | 37.5 | 42 | 12 | 5.5 | 6 | 10 | 13.5 | 4 | 4.5 | 3 | 6 | M6 |
| 32 | 34 | 98 | 112 | 37.5 | 48 | 16 | 7.5 | 10 | 12 | 15 | 4 | 4.5 | 3 | 6 | M8 |
| 40 | 40 | 106 | 120 | 44 | 54 | 16 | 7.5 | 10 | 12 | 18 | 4 | 4.5 | 3 | 6 | M8 |
| 50 | 46 | 130 | 148 | 44 | 64 | 20 | 9 | 13 | 15 | 21.5 | 5 | 6 | 4 | 8 | M10 |
| 63 | 58 | 142 | 162 | 49 | 78 | 20 | 9 | 13 | 15 | 28 | 5 | 6 | 4 | 8 | M10 |

Series LX

guide unit, double acting

Dimensions

| Piston Ø | Stroke | Version | Y | Z2 | Ø AE | M | CB |
|----------|-----------|---------|------|------|------|-----|----|
| 20 | 20 - 30 | 000 | 21.5 | 74.5 | 12 | 24 | 29 |
| 20 | 20 - 30 | 100 | 19 | 72 | 10 | 24 | 29 |
| 20 | 40 - 50 | 000 | 21.5 | 74.5 | 12 | 44 | 39 |
| 20 | 75 - 100 | 000 | 26.5 | 79.5 | 12 | 44 | 39 |
| 20 | 40 - 100 | 100 | 22 | 75 | 10 | 44 | 39 |
| 20 | 125 - 200 | 000 | 26.5 | 79.5 | 12 | 120 | 77 |
| 20 | 125 - 200 | 100 | 32 | 85 | 10 | 120 | 77 |
| 25 | 20 | 000 | 21 | 74.5 | 16 | 24 | 29 |
| 25 | 30 | 000 | 27 | 80.5 | 16 | 24 | 29 |
| 25 | 20 - 30 | 100 | 21 | 74.5 | 12 | 24 | 29 |
| 25 | 40 - 50 | 000 | 27 | 80.5 | 16 | 44 | 39 |
| 25 | 75 - 100 | 000 | 31.5 | 85 | 16 | 44 | 39 |
| 25 | 40 - 100 | 100 | 32 | 85.5 | 12 | 44 | 39 |
| 25 | 125 - 200 | 000 | 31.5 | 85 | 16 | 120 | 77 |
| 25 | 125 - 200 | 100 | 44.5 | 98 | 12 | 120 | 77 |
| 32 | 25 | 000 | 14 | 73.5 | 20 | 24 | 33 |
| 32 | 25 | 100 | 26.5 | 86 | 16 | 24 | 33 |
| 32 | 50 | 000 | 32 | 91.5 | 20 | 48 | 45 |
| 32 | 50 | 100 | 26.5 | 86 | 16 | 48 | 45 |
| 32 | 75 - 100 | 000 | 32 | 91.5 | 20 | 48 | 45 |
| 32 | 75 - 100 | 100 | 35.5 | 95 | 16 | 48 | 45 |
| 32 | 125 - 200 | 000 | 32 | 91.5 | 20 | 124 | 83 |
| 32 | 125 - 200 | 100 | 50.5 | 110 | 16 | 124 | 83 |
| 40 | 25 | 000 | 7.5 | 73.5 | 20 | 24 | 34 |
| 40 | 25 | 100 | 20 | 86 | 16 | 24 | 34 |
| 40 | 50 - 100 | 000 | 25.5 | 91.5 | 20 | 48 | 46 |
| 40 | 50 | 100 | 20 | 86 | 16 | 48 | 46 |
| 40 | 75 - 100 | 100 | 29 | 95 | 16 | 48 | 46 |
| 40 | 125 - 200 | 000 | 25.5 | 91.5 | 20 | 124 | 84 |
| 40 | 125 - 200 | 100 | 44 | 110 | 16 | 124 | 84 |
| 50 | 25 | 000 | 26.5 | 98.5 | 25 | 24 | 36 |
| 50 | 25 | 100 | 21 | 93 | 20 | 24 | 36 |
| 50 | 50 - 100 | 000 | 26.5 | 98.5 | 25 | 48 | 48 |
| 50 | 50 - 75 | 100 | 21 | 93 | 20 | 48 | 48 |
| 50 | 100 | 100 | 40 | 112 | 20 | 48 | 48 |
| 50 | 125 - 200 | 000 | 26.5 | 98.5 | 25 | 124 | 86 |
| 50 | 125 - 200 | 100 | 40 | 112 | 20 | 124 | 86 |
| 63 | 25 | 000 | 21.5 | 98.5 | 25 | 28 | 38 |
| 63 | 25 | 100 | 16 | 93 | 20 | 28 | 38 |
| 63 | 50 - 100 | 000 | 21.5 | 98.5 | 25 | 52 | 50 |
| 63 | 50 - 75 | 100 | 16 | 93 | 20 | 52 | 50 |
| 63 | 100 | 100 | 35 | 112 | 20 | 52 | 50 |
| 63 | 125 - 200 | 000 | 21.5 | 98.5 | 25 | 128 | 88 |
| 63 | 125 - 200 | 100 | 35 | 112 | 20 | 128 | 88 |

Proximity sensors with cable

Proximity sensors with plug

Technical data

| Model-no.: | ZS-5600 | ZS-5601 | ZS-5700 | ZS-5701 |
|--|---------------------|--------------------------|---|---------------------------------|
| | | | | |
| Design | 2-pole Reed sensor | 2-pole Reed sensor | 3-pole Reed sensor | 3-pole Reed sensor |
| Contact function | NO | NO | NO | NO |
| Rated operational voltage | 5 ... 240 V AC / DC | 5 ... 60 V AC / DC | 5 ... 30 V DC | 5 ... 30 V DC |
| Rated operational current I_E | 3 ... 100 mA | 3 ... 100 mA | ≤ 500 mA | ≤ 500 mA |
| Max. voltage drop at I_E | ≤ 2.5 | ≤ 2.5 | ≤ 0.1 | ≤ 0.1 |
| Breaking capacity | 10 W | 10 W | 10 W | 10 W |
| Cable length | 3 m | 0.3 m with M8 connection | 5 m | 0.3 m with M8 connection |
| Temperature range | -10 ... +70°C | -10 ... +70°C | -10 ... +70°C | -10 ... +70°C |
| Protection | IP 67 | IP 67 | IP 67 | IP 67 |
| Switching status indication | LED red | LED red | LED yellow | LED yellow |
| Model-no.: | ZS-6700 | ZS-6701 | ZS-7300 | ZS-7302 |
| | | | | |
| Design | 3-pole inductive | 3-pole inductive | 3-pole inductive | 3-pole inductive |
| Contact function | NO | NO | NO | NO |
| Output | PNP | PNP | PNP | PNP |
| Rated operational voltage | 5 ... 30 V DC | 5 ... 30 V DC | 10 ... 30 V DC | 10 ... 30 V DC |
| Rated operational current I_E | ≤ 200 mA | ≤ 200 mA | ≤ 100 mA | ≤ 100 mA |
| Max. voltage drop at I_E | ≤ 1.0 | ≤ 1.0 | ≤ 2.5 | ≤ 2.5 |
| Breaking capacity | 6 W | 6 W | 3 W | 3 W |
| Cable length | 3 m | 0.3 m with M8 connection | 6 m | 0.3 m with M12 connection |
| Temperature range | -10 ... +70°C | -10 ... +70°C | -20 ... +60°C | -20 ... +60°C |
| Protection | IP 67 | IP 67 | IP 67 | IP 67 |
| Switching status indication | LED green | LED green | LED yellow | LED yellow |
| | - | - | II 3G Ex nA T4 II 3D Ex tD A22 IP67 T 125°C | II 3D Ex tc IIIC T125°C Dc X |

Series ZS

Proximity sensors

Cable with bushing for proximity sensors

| Model-no.: | KA-30 | KA-50 | KA-51 | KA-100 | KA-101 |
|--------------|-------------|-------------|-------------|-------------|-------------|
| Connection | M8, snap-in | M8, snap-in | M8, snap-in | M8, snap-in | M8, snap-in |
| Version | straight | straight | elbow 90° | straight | elbow 90° |
| Cable length | 3 m | 5 m | 5 m | 10 m | 10 m |

Mounting

The sensors are mounted at the groove of the cylinder profile. It is fixed by turning the fixing screw at the sensor clockwise. The cover stripe XLB-011 (see below) can be used for protecting the sensor cable.

Cover for sensor groove

| Model-no.: | XLB-011 |
|------------|-------------------------------------|
| Design | plastic profile, 50 cm length, blue |
| For series | XL, NXD, NXE, NYD, NYE, NYSE, LX |

